



**Assembly, Installation, Operation and  
Maintenance Instructions  
Contractors Rack Extension**

**Part Number:  
FCLR003B**

**10 - 15 minutes**

**Dealer / Installer:** Provide a copy of these instructions to the end user of this product. These instructions provide important operating and safety information for proper usage of this product. Demonstrate the proper use of the product with the end user. Have the end user demonstrate that they understand the proper use of the product.

**End User:** Read and follow all instructions included in this manual. Ask your Dealer / Installer for assistance if you do not understand the proper use of the product. Never remove any decals from the product. Failure to follow these instructions can result in injury or death.

**⚠️ WARNING ⚠️**

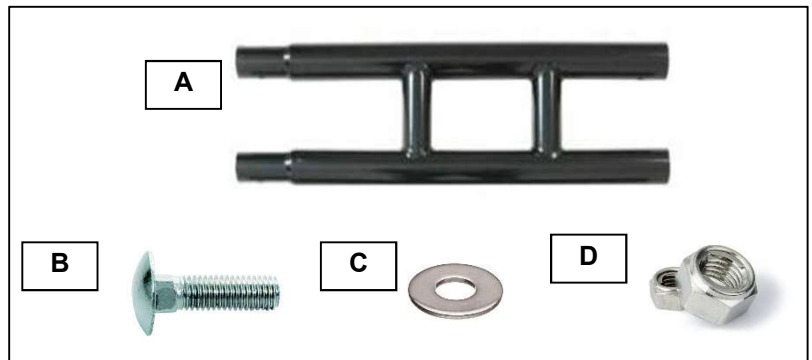
**APPLICATION: FCLR001B only**

**HARDWARE PARTS LIST**

Sl. No	Part Description	Qty
A	Extension	2
B	M16x35mm Bolts	4
C	M16 Flat Washers	4
D	M16 Lock Nuts	4

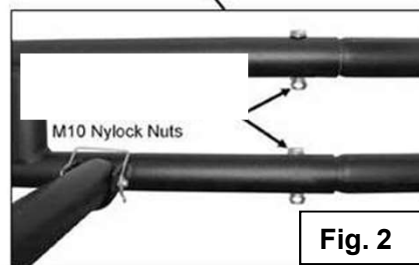
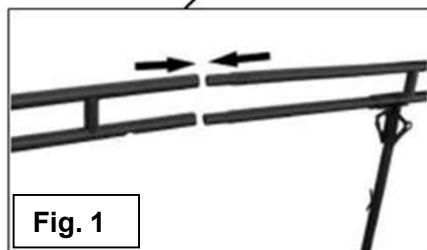
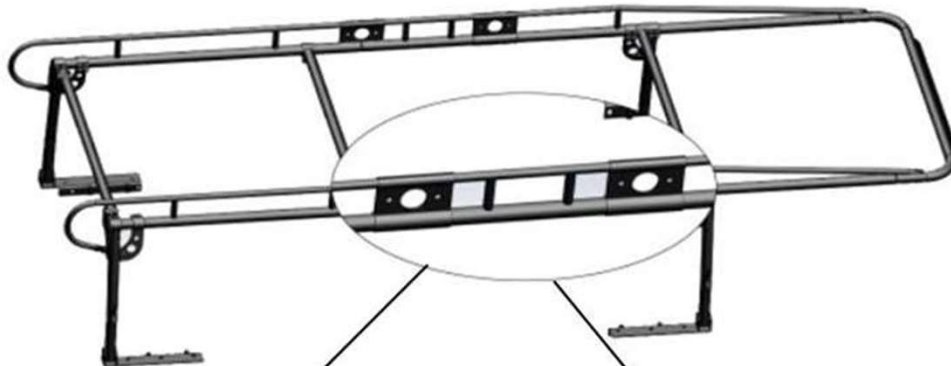
**TORQUE SPECIFICATION**

Size	Torque
16 MM	183 ft/lbs



**Integrate the extension with front and rear Side Rails. (Fig 1)**

**Attach the Extension to front and rear Side Rails using the included (Fig 2)**



## **PRODUCT CARE**

- Periodically check the product to ensure all fasteners are tight and components are intact.
- Regular waxing is recommended to protect the finish of the product.
- Use an automotive wax to maintain and protect the finish.
- Clean rack with soft cloth and mild soap to keep the powder coat finish in good condition.
- Mild soap may be used to clean the product for both Stainless Steel and Black finish.

## **FAQ's**

### **1. Products are thumping / rattling after Installation**

Ensure that all required mounting brackets / hardware's are installed & tightened correctly.  
Suggest using white Lithium / regular grease between metal-to-metal contact.

### **2. Missing / Excess Hardware**

Recheck hardware count as per the part list.

### **3. Product not installing properly**

Ensure make model year, cab length and bed size of your vehicle is listed in the application. All installation steps are followed correctly.

### **4. Who should be contacted for questions regarding product / installation assistance?**

[www.trailfx.com](http://www.trailfx.com) / [support@trailfx.com](mailto:support@trailfx.com) or 1-(866) 638-4870

# Warranty Terms:

## 3 Year Limited Warranty:

TrailFX and Keystone Automotive Operations Inc. make no guarantees or warranties for products not manufactured by Keystone Automotive Operations Inc. Such products are covered solely under any applicable warranty of the manufacturer. It is always recommended that the operating instructions and warranty instructions provided by the manufacturer are followed.

Keystone Automotive Operations Inc. warrants its products to be free from manufacturing and material defects to the original purchaser for the length of warranty stated above from the date of retail purchase. If any products are found to have a manufacturing or material defect, the product will be replaced or repaired at the option of TrailFX and Keystone Automotive Operations Inc. with proof of purchase by the original purchaser. The original purchaser shall pay all transportation and shipping costs associated with the return of the defective product and the defective product shall become the property of Keystone Automotive Operations Inc.

The Warranty applies to Keystone Automotive Operations Inc. products used for individual and recreational purposes. Commercial usage of the Keystone Automotive Operations Inc. products limits the warranty to 90-days from date of purchase.

The Warranty applies only to Keystone Automotive Operations Inc. products which are found to be defective in manufacturing or material. This warranty does not apply to normal wear and tear of the finish placed on Keystone Automotive Operations Inc. products.

TrailFX and Keystone Automotive Operations Inc. are not responsible for any labor costs incurred for removal or replacement of the defective product.

TrailFX and Keystone Automotive Operations Inc. are not responsible for repair or replacement of any product under the limited warranty where the product was improperly installed, misapplied, altered, abused, neglected, overloaded, misused or damaged as a result of an accident, including any use of the product not in accordance with all product operating and safety instructions.

Without limiting the generality of the foregoing, TrailFX and Keystone Automotive Operations Inc. shall under no circumstances be liable for any incidental or consequential loss or damage whatsoever arising out of, or in any way relating to any such breach of warranty or claimed defect in, or non-performance of the products. Some states do not allow the exclusion or limitation of incidental or consequential damages, so the above exclusion or limitation may not apply to you.

This limited warranty gives you specific legal rights, and you may also have other rights that vary from state to state.